

## UDL-42D 42" Double LED TV Ceiling Mount Lift



LED monitor lift is designed to hide LCD screens into the ceiling. When you don't need to use it, LCD screens will be hidden inside the ceiling, it makes the ceiling neat; in multi-media meetings or , LCD Monitors can be controlled up/down/stop individually, grouped or all.

### **Features**

- Support 32"-42" Double LED monitor /TV 16:9
- Control: Manual and wireless remote control with central control via RS232/RS485 ports compatible
- Lift function and Panel button: Turn over ON/OFF for hidden features, with Up, Down, stop
- Supply features of automated power on/off for LCD/LED TV
- USA damping motor( turn over x2, up/down x1) , is Three Brake device design
- Control qty: one set control or synchronous control 2-100 sets
- Color: white or black
- Ceiling Panel material : wiredrawing aluminum alloy (Aluminum oxidation with drawing polishing surface process to make sure smooth and bright panel)
- Case material : alloy iron (Phenolic plastics , Surface treatment: Bake of high temperature)

### **Specification**

- Material: Steel
- Color: Phenolic plastics , Surface treatment: Bake of high temperature



- Lift Motor : Power Supply: 220 V , Power output: 15w , Torque: 4400mN.m
- Pitch angle Motor : Power Supply: 12 V , Power output: 0.17w , Torque: 44mN.m
- Pitch angle of LCD mon : 0-15°
- Load weight: 120kg
- Weight: 80kg
- Power Supply: 220 V / 50 ~ 60 Hz, 13A plug
- Connector port : DVI/HDMI , RS232/RS485 , RJ45 ,(Optional) USB
- Operation noise : less than or  $\leq$  20dB
- Wall Mount bracket for 32"-42" Double monitor / TV

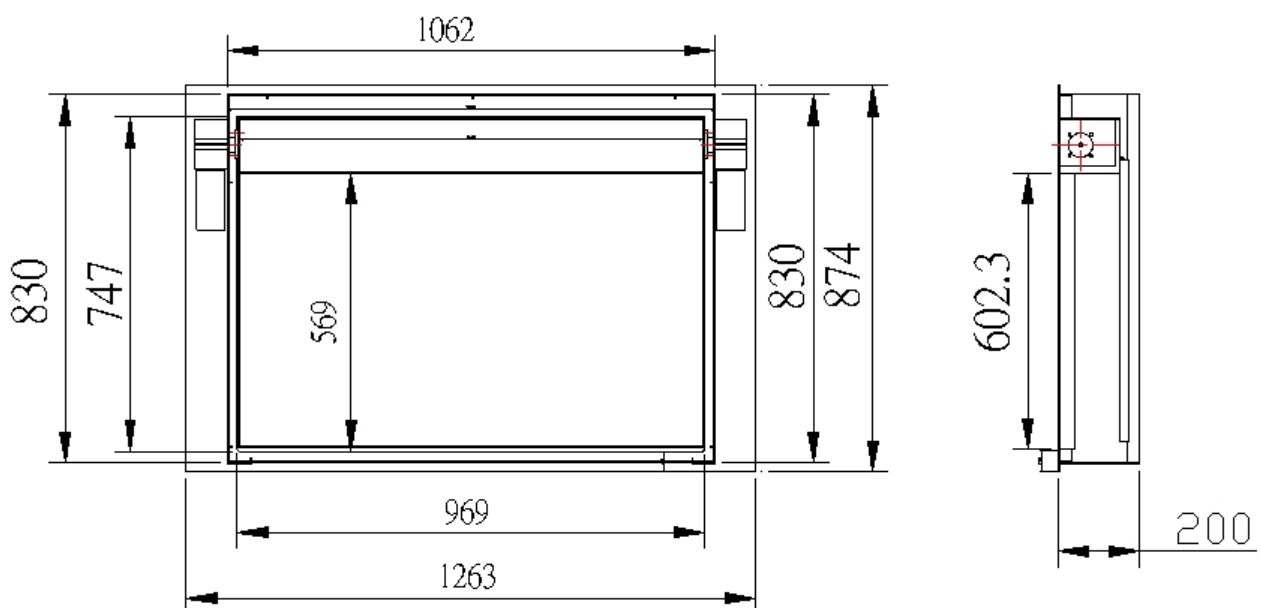
### Built-in Wireless control:

- Control mode : RF wireless control
- Function: Up, Down, stop

### Dimensions

- Lift dimension (W x H x D): 2526 x 874 x 200 mm
- LED monitor /TV dimensions (W x H x D): less than or  $\leq$  970(W)x 570(H) x 80(D)mm

### Structure and Dimensions Drawing



## Site Photo



## Suitable use:

- Special classroom, Meeting room, Conference room, VIP room, Intelligence room
- Warranty: 12 Month

## (OPTIONAL) safety / Loading testing certificate:

- FORM 4 and FORM 5 Loading testing certificate (12 Month) for LCD TV Turn over Ceiling Lift
- Factories and Industrial Undertakings (Lifting Appliances and Lifting Gear) Regulations.
- Certificate of test and thorough examination of lifting appliances(except cranes, crabs and winches).
- Form approved by the commissioner for Labour for the purposes of regulation of the Factories and Industrial Undertakings (Lifting Appliances and Lifting Gear) Regulations.
- Signature of Registered Professional Engineer

**CB CE**